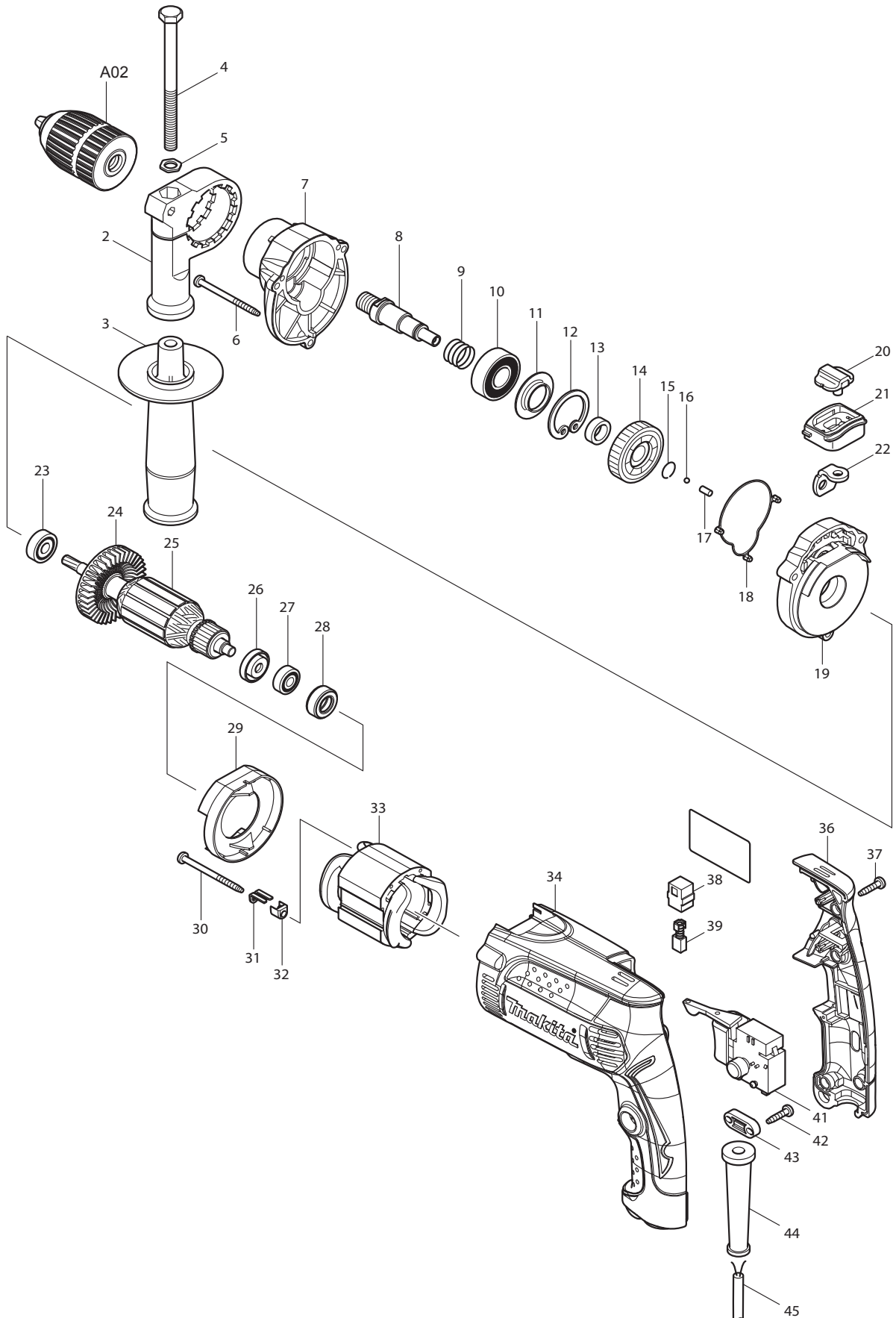




01 - 2010  
HP1631  
HP1631K  
HAMMER DRILL



## PARTS LIST

| Item No | Type | Part No  | Description                   | Qty | Unit |
|---------|------|----------|-------------------------------|-----|------|
| 002     |      | 417630-4 | GRIP BASE                     | 1   | PC.  |
| 003     |      | 153503-4 | GRIP 36 COMPLETE              | 1   | PC.  |
| 004     |      | 265495-6 | HEX. BOLT M8X110              | 1   | PC.  |
| 005     |      | 345280-4 | HEX. WASHER                   | 1   | PC.  |
| 006     |      | 266361-0 | TAPPING SCREW 4X30            | 3   | PC.  |
| 007     |      | 450619-9 | GEAR HOUSING                  | 1   | PC.  |
| 008     | 2    | 327220-4 | * SPINDLE                     | 1   | PC.  |
| 008     | 3    | 327376-3 | * SPINDLE                     | 1   | PC.  |
| 009     |      | 233330-6 | COMPRESSION SPRING 16         | 1   | PC.  |
| 010     |      | 211241-5 | BALL BEARING 6202DDW          | 1   | PC.  |
| 011     |      | 257246-1 | RING 19                       | 1   | PC.  |
| 012     |      | 962153-2 | RETAINING RING R-35           | 1   | PC.  |
| 013     |      | 257173-2 | RING 12                       | 1   | PC.  |
| 014     | 2    | 227806-3 | * HELICAL GEAR 37             | 1   | PC.  |
| 015     |      | 233938-6 | RING SPRING 12                | 1   | PC.  |
| 016     |      | 216001-0 | STEEL BALL 3.5                | 1   | PC.  |
| 017     |      | 256251-5 | PIN 4                         | 1   | PC.  |
| 018     |      | 424112-9 | SEAL RING                     | 1   | PC.  |
| 019     | 3    | 140M12-0 | * GEAR HOUSING COVER COMPLETE | 1   | PC.  |
| 020     |      | 417819-4 | CHANGE LEVER                  | 1   | PC.  |
| 021     |      | 450621-2 | LEVER CASE                    | 1   | PC.  |
| 022     |      | 345944-0 | CHANGE PLATE                  | 1   | PC.  |
| 023     |      | 211031-6 | BALL BEARING 608LLB           | 1   | PC.  |
| 024     |      | 241869-5 | FAN 55                        | 1   | PC.  |
| 025     | 2    | 513436-9 | * ARMATURE ASS'Y 115V         | 1   | PC.  |
| 025     | 2    | INC.     | * Item No. 23, 24, 26 & 27    | 1   | PC.  |
| 026     |      | 681636-0 | INSULATION WASHER             | 1   | PC.  |
| 027     |      | 211021-9 | BALL BEARING 607LLB           | 1   | PC.  |
| 028     |      | 421808-3 | RUBBER RING 19                | 1   | PC.  |
| 029     |      | 450620-4 | BAFFLE PLATE                  | 1   | PC.  |
| 030     | 2    | 266467-4 | * TAPPING SCREW 4X50          | 2   | PC.  |
| 031     |      | 344871-8 | RETAINER                      | 2   | PC.  |
| 032     |      | 417237-6 | * INSULATION COVER (removed)  | 2   | PC.  |
| 033     | 1    | 626601-2 | FIELD 115V                    | 1   | PC.  |
| 033     | 2    | 621A51-2 | FIELD 115V                    | 1   | PC.  |
| 034     | 1    | 450617-3 | MOTOR HOUSING                 | 1   | PC.  |
| 034     | 2    | 457967-7 | MOTOR HOUSING                 | 1   | PC.  |
| 036     |      | 158677-6 | HANDLE COVER COMPLETE         | 1   | PC.  |

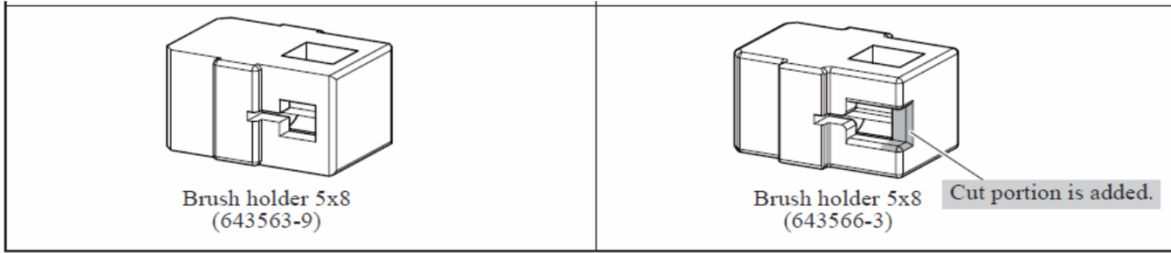
| Item No | Type | Part No  | Description                            | Qty | Unit |
|---------|------|----------|--|-----|------|
| 037     |      | 266326-2 | TAPPING SCREW 4X18                     | 4   | PC.  |
| 038     | 2    | 643566-3 | BRUSH HOLDER 5X8                       | 2   | PC.  |
| 039     | 2    | 194971-2 | CARBON BRUSH CB-75 2PC/SET (W/ ORIGIN) | 1   | SET  |
| 039     | 3    | 191956-9 | CARBON BRUSH CB-75 2PC/SET (W/ ORIGIN) | 1   | SET  |
| 041     |      | 650585-2 | SWITCH S W/LOCK VAR/REV                | 1   | PC.  |
| 042     |      | 266326-2 | TAPPING SCREW 4X18                     | 2   | PC.  |
| 043     |      | 687123-7 | STRAIN RELIEF                          | 1   | PC.  |
| 044     |      | 682569-2 | CORD GUARD 8-85                        | 1   | PC.  |
| 045     |      | 664881-2 | CORD W/PLUG 2P-18-2.0M, SJO            | 1   | PC.  |
| 100     |      | 654037-5 | INSULATED EYE TERMINAL FT1.25-M3       | 2   | PC.  |
| 101     |      | 654042-2 | NON-INSULATED SLEEVE                   | 2   | PC.  |
| 102     |      | 654593-5 | SPLICE                                 | 4   | PC.  |
| A01     |      | 824811-7 | PLASTIC CARRYING CASE                  | 1   | PC.  |
| A01     | INC. | 450086-8 | PLASTIC CASE LID                       | 1   | PC.  |
| A01     | INC. | 419216-0 | HANDLE                                 | 1   | PC.  |
| A01     | INC. | 418264-6 | PLATE                                  | 3   | PC.  |
| A01     | INC. | 324815-4 | SHAFT                                  | 1   | PC.  |
| A01     | INC. | 417724-5 | LATCH                                  | 2   | PC.  |
| A02     | 2    | 196193-0 | 1/2" KEYLESS DRILL CHUCK - PACKAGED    | 1   | PC.  |
| A03     |      | 763440-0 | CHUCK KEY (F/ 192541-1)                | 1   | PC.  |
| A04     |      | 324219-0 | DEPTH GAUGE                            | 1   | PC.  |
| A05     |      | 765009-6 | BLOW-OUT BULB                          | 1   | PC.  |
| C01     |      | 849461-7 | CARTON F/HP1631K                       | 1   | PC.  |

# SERVICE CHANGES: HP1631

## 1. Changes on Brush holder

(TI#99619)

| Item No. | Description      | Type 1   | Type 2   |
|----------|------------------|----------|----------|
| 38       | Brush holder 5x8 | 643563-9 | 643566-3 |

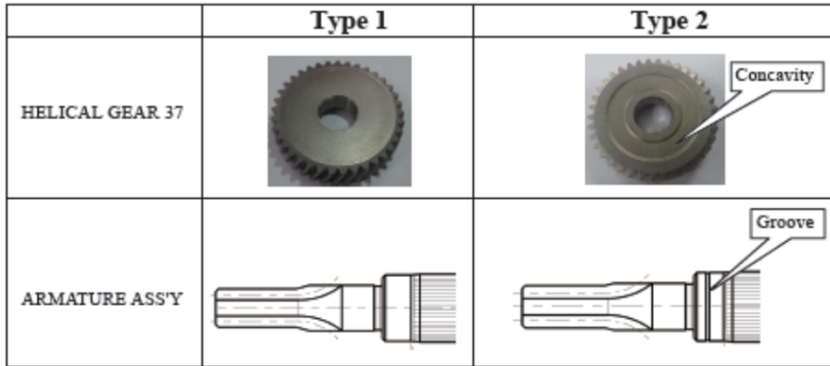


## 2. Changes on Helical gear 37 and Armature ass'y

(TI#A7367)

| Item No. | Description         | Type 1   | Type 2   |
|----------|---------------------|----------|----------|
| 14       | Helical Gear 37     | 226589-2 | 227806-3 |
| 25       | Armature ass'y 115V | 515306-8 | 513436-9 |

Above parts are completely interchangeable as a set.



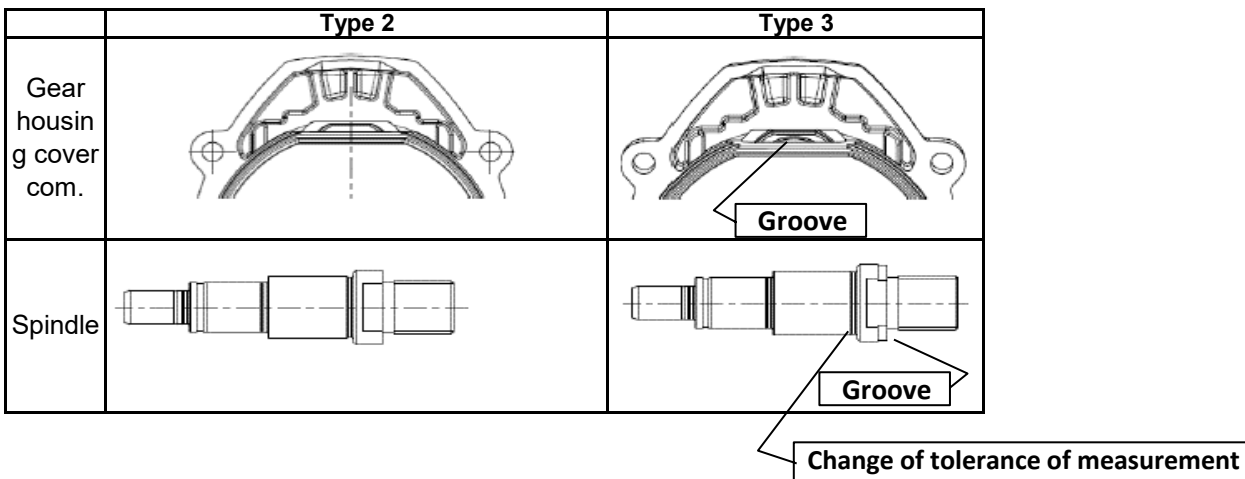
## 3. Changes on Gear Housing Cover, Spindle

(TI#C3337)

(TI#C7290)

| Item No. | Description             | Type 1   | Type 2   | Type 3   |
|----------|-------------------------|----------|----------|----------|
| 19       | Gear housing cover com. | 158676-8 | 140G48-3 | 140M12-0 |
| 8        | Spindle                 | 324223-9 | 327220-4 | 327376-3 |

Above parts are completely interchangeable as a set.



**4. Elimination of Inaulation Cover, Change of Tapping Screws**

(TI#DH753)

| <b>Item No.</b> | <b>Description</b>  | <b>Type 1</b> | <b>Type 2</b> |
|-----------------|---------------------|---------------|---------------|
| 32              | INSULATION COVER    | 417237-6      | -----         |
| 30              | TAPPING SCREW M4X50 | 266415-3      | 266467-4      |

Above parts are completely interchangeable as a set.